

# X5-4

## ( C-arm Table 4 Motion)

※ Medical Device

# Table of Contents

<b>Outline</b>	3
<b>Introduction</b>	4
Parts and adjustment mechanisms	4-5
Specifications	6-7
<b>Instructions for use</b>	8
Before proceeding	8
Operating instructions	8-10
<b>Maintenance</b>	11
Cautions	11-12
Trouble shooting	13

## Outline

**Product name**

Surgical C-arm Table

**Model No.**

X5-4

**Intended use**

Fluoroscope the human body with X-ray machine

**Permission No.**

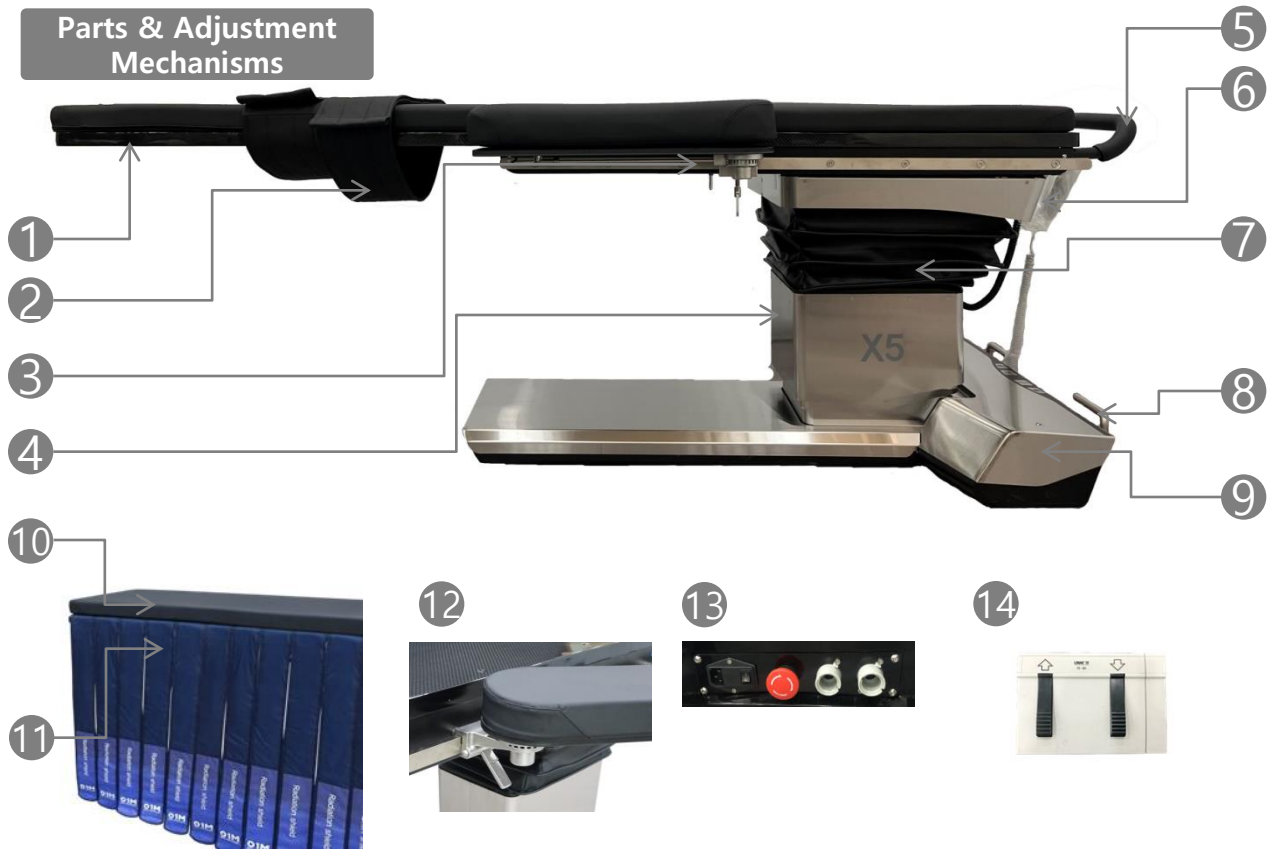
Reg. 20 - 702

**Operation**

The X5-4 is motorized operating table to fluoroscope the human body with X-ray machine. The surgical C-arm table X5-4 is designed for image-guided procedures in which precise, stability, vibration-free positioning are essential..

# Introduction

## Parts & Adjustment Mechanisms



No.	Part	Feature
1	Carbon fiber table top	Support the patient body and used for imaging
2	Patient safety strap	Secure the patient body safely
3	Side rail	Used to assemble accessories with
4	Elevation motor	Adjust the height of the table
5	Handle	Used for moving the table
6	Hand controller	Control the 4 motions
7	Middle cover	Protect the parts between the table top and the lower parts.
8	Total lock bar	Control the castors
9	Lower frame	Support the table weight
10	Mattress	7cm soft mattress for comfortable position
11	Radiation shield	Block the radiation for operator and patient
12	Arm board	Support the patient arm
13	Power socket	Connect the power and controllers
14	Foot pedal	Control the height adjustment

# Introduction

## Parts & Adjustment Mechanisms

No.	Part	Pic.	Feature
1	Table top		High transmittance and transparent imaging quality by full carbon fiber with 3K Twill glossy finish.
			Provides transparent fluoroscopy through the large 1,565mm radiolucent imaging area.
2	Radiation shield		Block 99% of radiation with waterproof radiation shield of the Rip stop tissue
3	Arm board		180 degrees rotation
4	Mattress		7cm high quality soft mattress

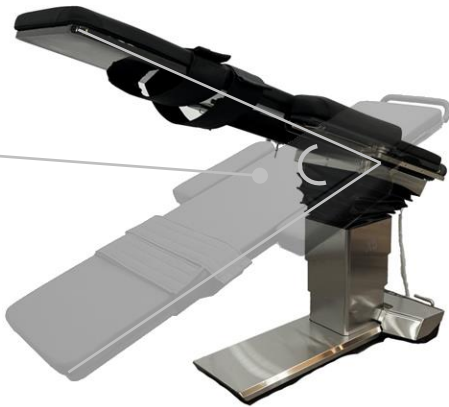
# Specifications

## Dimensions



810 mm ~ 1160 mm

$19^{\circ}(\text{up}) \sim -19^{\circ}(\text{down}) \pm 5^{\circ}$



$19^{\circ}(\text{L}) \sim 19^{\circ}(\text{R}) \pm 5^{\circ}$



200mm



## Specifications

- Dimensions :
  - by mattress : 560 x 2200
  - by the whole table(incl. handle) : 760 x 2355 x 810~1160(mm)
- Trendelenburg: 19° (up) ~ -19° (down)±5°
- Lateral : 19° (L) ~ 19° (R)±5°
- Longitudinal(X motion) : 0mm ~ 200mm (±20mm)
- Weight : 240kg (±10kg)
- Patient weight capacity: 227kg
- Power: 100~240v, 50/60hz
- Power Consumption : 200W
- Class: 1, Type B Applied Part
- Certification: KFDA, USFDA

**X5-4 features elevation, Trendelenburg position, lateral tilting and X motion.  
The carbon fiber tabletop ensures high transparent fluoroscopic visualization**

# Instructions for use

## Before proceeding

- Only use approved power voltage.
- Make sure the plug and switch are connected correctly.
- Refer to instruction manual before use.
- Allow only qualified, trained personnel to operate this product.
- Have a visual inspection before use.
- The table must be installed on level ground.
- Make sure that there is no obstruction when table operates.
- Make certain the equipment is not damaged.

## Operating Instructions

- Plug in the power cord at approved voltage.



Connection

- Lock the castors (pic 1, pic 2)
- Set the table at the lowest position and transfer a patient on the middle of the table.

### Unlock the castors



Pic 1

Unlocked



Pic 2

Locked

As shown in the pictures, you can lock and unlock the castors easily.



# Instructions for use

## Operating Instructions

- Emergency button: Shut down the table in emergency

Pressed: Power OFF / Up: Power ON



- Control the height with the controllers(pic 3, 4)

How to use the foot pedal		
<p>Pic 3</p>	1	Up
	2	Down

How to use the hand controller		
<p>Pic 4</p>	1	Trendelenburg
	2	Reverse Trendelenburg
	3	Height up
	4	Height down
	5	Longitudinal movement backward
	6	Longitudinal movement forward
	7	Lateral tilt(left up)
	8	Lateral tilt(right up)

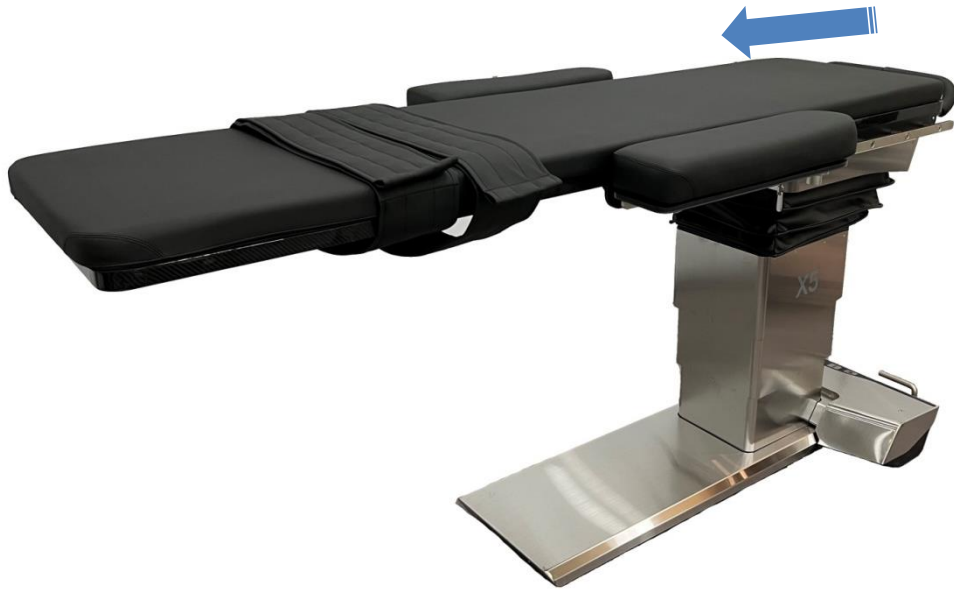
- Control the motions depending on the C-arm position if necessary
- When transferring a patient off the table, set the table at the lowest position.
- After using, set the table back to the normal position turn it off.

# Instructions for use

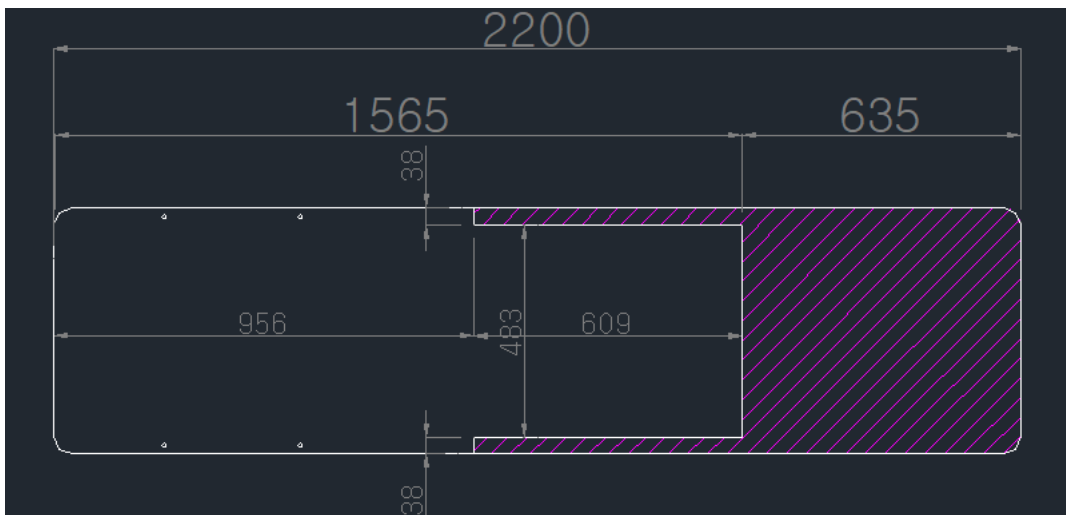
## Operating Instructions

- Caution while transferring a patient on the table

**\* As shown in the picture, adjust the tabletop position before transferring a patient on the table.**



- Top View(mm)



# Maintenance

## Cautions

- Refer to instruction manual before using.
- Allow only qualified, trained personnel to operate this product.
- Cautions during installation
  - ① The table must be connected at correct voltage, frequency and power consumption.
  - ② Be careful of stability while moving, operating the table.
  - ③ Do not install the table in adversely affected place by temperature, humidity and dust.
- Cautions before using
  - ① Make sure to connect the table correctly.
  - ② Lock the castors before moving a patient onto the table.
- Cautions while using
  - ① Check the table operates normally.
  - ② If the table works abnormally, keep the patient safe and shut down the table.
  - ③ Only qualified personnel can operate the table.
  - ④ Do not remodel or modify the table.
- Be careful for the patient to bump against the table.
- Cautions after using
  - ① Turn off the switch and unplug the table when not in use for a long time.
  - ② If the table breaks down, please conduct an adequate inspection and request after-sales service.

## Maintenance

- Keep the table away from water, gas, chemicals.
- Do not place the table in adversely affected place by temperature, humidity and dust.
- Be careful of vibration and impact.
- After using, set the table back to the normal position.
- Do not remodel the table.
- Clean the mattress with cleaner at 50~70°C by sponge and soft brush.
- Cover the table with sterilized cloth and unplug when not using.
- Conduct a periodical inspection and maintenance.

# Maintenance

## Trouble shooting

Problem	Inspection	Action
Table doesn't operate	Power cord	Connect the cord at approved, correct voltage.
	Control box	Make sure that the motors and controllers are connected correctly to the control box.
	Motor	If the motor doesn't work, request after-sales service.
	Emergency button	Check if the button is pressed.
Noisy	Upper frame	Apply grease or lubricants to rail parts.
Others	Operating range	Make certain of no obstruction in the operating range.
	Weight capacity	Check if the weight on the table exceeds 227kg.



# X5-4

## ( C-arm Table 4 Motion)